

EX200



Bifold Orange provide a wide range of Electronic Control and Positioner solutions for Valve Actuation.

The EX200 is an essential component in the control of electro-hydraulic actuators. This compact instrument switches the solenoid of the valve actuator such that it moves to the position dictated by an incoming analogue command signal.

The actual position of the valve actuator, measured by a position transducer or potentiometer, is conditioned by the EX200 and re-transmitted back to the Central Control System as a scaled analogue signal.

EX200



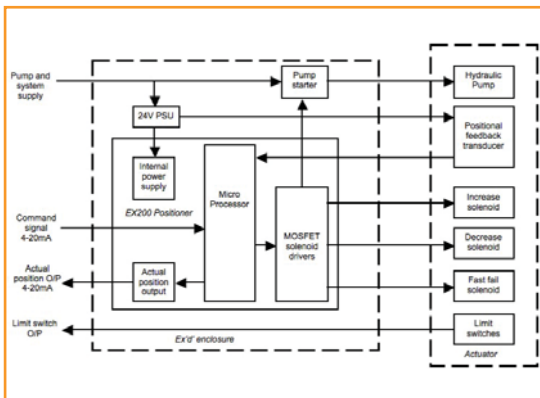
- Simple 2 step calibration.
- 4-20mA current command signal.
- Actual position 4-20ma calibrated output.
- Current or potentiometer feedback signal.
- Manual mode for actuator test.
- Stepping mode with adjustable on and off times.
- Selectable solenoid drive sense for failsafe operation.
- Selectable default operation on signal break.
- Signal fail solenoid output.
- External fault contact monitoring.
- Selectable interlock between signal fail and fault outputs.

Communication

- Available with HART protocol data on the retransmitted actual signal.
- The HART commands incorporated include all Universal and a selection of Common Practice commands.
- Additional Device Specific commands allow the remote configuration of the instrument.
- Conforms to HCFV7 Protocol data.

Enclosure

- Standard unit housed in a DIN rail mounted enclosure.
- Optional compact Ex d enclosure option for Zone 1 or Zone 2 areas.
- Ex d enclosure available in 316L Stainless Steel or Painted Aluminium.
- Optional AC supply and pump control relay when fitted in Compact Ex d enclosure.
- Ex d enclosure close coupled to Ex e enclosure to ease installation.
- Ex e enclosure available in 316L Stainless Steel or GRP (Glass Re-enforced Polyester).
- Ex d / Ex e option removes the requirement for barrier type cable glands.
- Allows for direct mounting of the instrument onto the valve actuator.



Accuracy of information
We take care to ensure that product information in this catalogue is reasonably accurate and up-to-date. However, our products are continually developed and updated so to ensure accurate and up-to-date information please refer to the product catalogue issue list on our web site or contact a member of our sales team.

When selecting a product, the applicable operating system design must be considered to ensure safe use. The products function, material compatibility, adequate ratings, correct installation, operation and maintenance are the responsibilities of the system designer and user.

Quality Assurance
All Bifold products are manufactured to a most stringent QA programme. Every care is taken at all stages of manufacture to ensure that every product will give optimum performance and reliability. We are third party certified to BS EN ISO 9001:2008. Functional test certificate, letter of conformity and copies of original mill certificates, providing total traceability are available on request to BS EN 10204 3.1 where available. We reserve the right to make changes to the specifications and design etc. without prior notice.

EX200 Actuator Positioner - Part Numbering System



EX200 Actuator Positioner		Model Code									
S	Standard Without Communication Protocol	Communication									
H	Hart Communication Protocol	Communication									
A	4-20mA Current Signal	Actuator Feedback									
P	Potentiometer	Actuator Feedback									
D	Din Rail Housing	Housing									
C	Compact Exd Housing										
X	Special Housing Options on Request										
SS	316L Stainless Steel	Housing Material - C or X Housing only									
AL	Aluminium										
XX	No Housing - Instrument Only										
DC	24VDC Supply - Only option for Din Rail Housing	Supply Voltage									
AC	115V – 230V 50/60Hz										
JB	Standard Size Exe Junction Box	Junction Box Type - C Housing Only									
JBL	Large Exe Junction Box for Additional Connections										
JBI	JB with IS Command and Retransmission										
JBX	Special Junction Box										
BLANK	316L Stainless Steel	Junction Box Material - C Housing Only									
GRP	Glass Re-enforced Polyester										
BLANK	No Entries in Left Side	JB Entries in Left Side - C Housing Only									
1-16L	Number of Entries in left hand side										
BLANK	No Entries in Bottom Side	JB Entries in Bottom Side - C Housing Only									
1-16B	Number of Entries in bottom side										
BLANK	No Entries in Right Side	JB Entries in Right Side - C Housing Only									
1-16R	Number of Entries in right hand side										
BLANK	M20 Entries	Entry Size - C Housing Only									
K85	1/2" NPT Entries										
BLANK	Double Acting Actuator	Actuator Type									
SC	Spring to Close Actuator										
SO	Spring to Open Actuator										
BLANK	Fail Stay Put	Fail Mode									
FC	Fail Closed										
FO	Fail Open										
BLANK	No Pump Control Required	Pump Control									
PD	Pump Control on Demand										
PP	Pump Control on Pressure Switches										
BLANK	Sourcing Retransmission	4-20mA Retransmission									
SK	Sinking Retransmission										
EX200/	H/	A/	C/	SS/	DC/	JB/	SS/	4/	6/	4	Example Code

Other options available on request to Bifold Orange