

# IRP200 and IR900

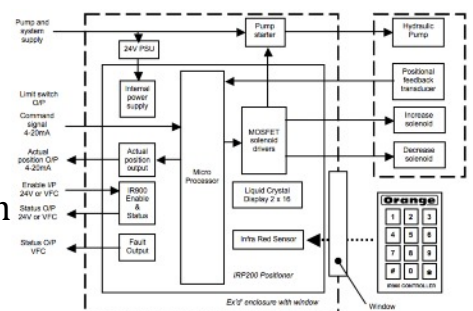
## INFRA RED ACTUATOR POSITIONER

The IRP200 is designed for controlling electro-hydraulic actuators within hazardous areas.

The IR900 handheld infra red keypad can be used freely, within a hazardous area, to calibrate and configure the IRP200, via a window in its flameproof enclosure, and without having to purge the area of hazardous gases or liquids.

### MAIN FEATURES

- Configuration via infra red keypad within Zone 1
- 2 x16 character illuminated alphanumeric LCD
- Isolated actual position output 4-20mA source or 2-wire current
- Current or potentiometer feedback
- Manual mode via infra red keypad
- Stepping mode with adjustable ON and OFF times
- Comprehensive system fault analysis and action
- Valve hard seating function
- Self contained hydraulic pump control on-demand and via pressure switches
- Remote adjust disable input and system status output



Orange Instruments supply bespoke control systems to the oil, petrochemical, gas, coal, nuclear, food and beverage, water treatment and household product sectors of the continuous process industry. We offer a comprehensive design and manufacturing service from concept, through system configuration, to final approval and supply.